

1

2

3

4

5

6

7

8

A

B

C

D

E

REV	Description	DATE	BY
1	First version	20190812	Milo

Seed Studio

TITLE: wio terminal

CC-BY-SA

Design:

Check:

Date: 尚未保存!

Vision:

Sheet: 1/1

1

2

3

4

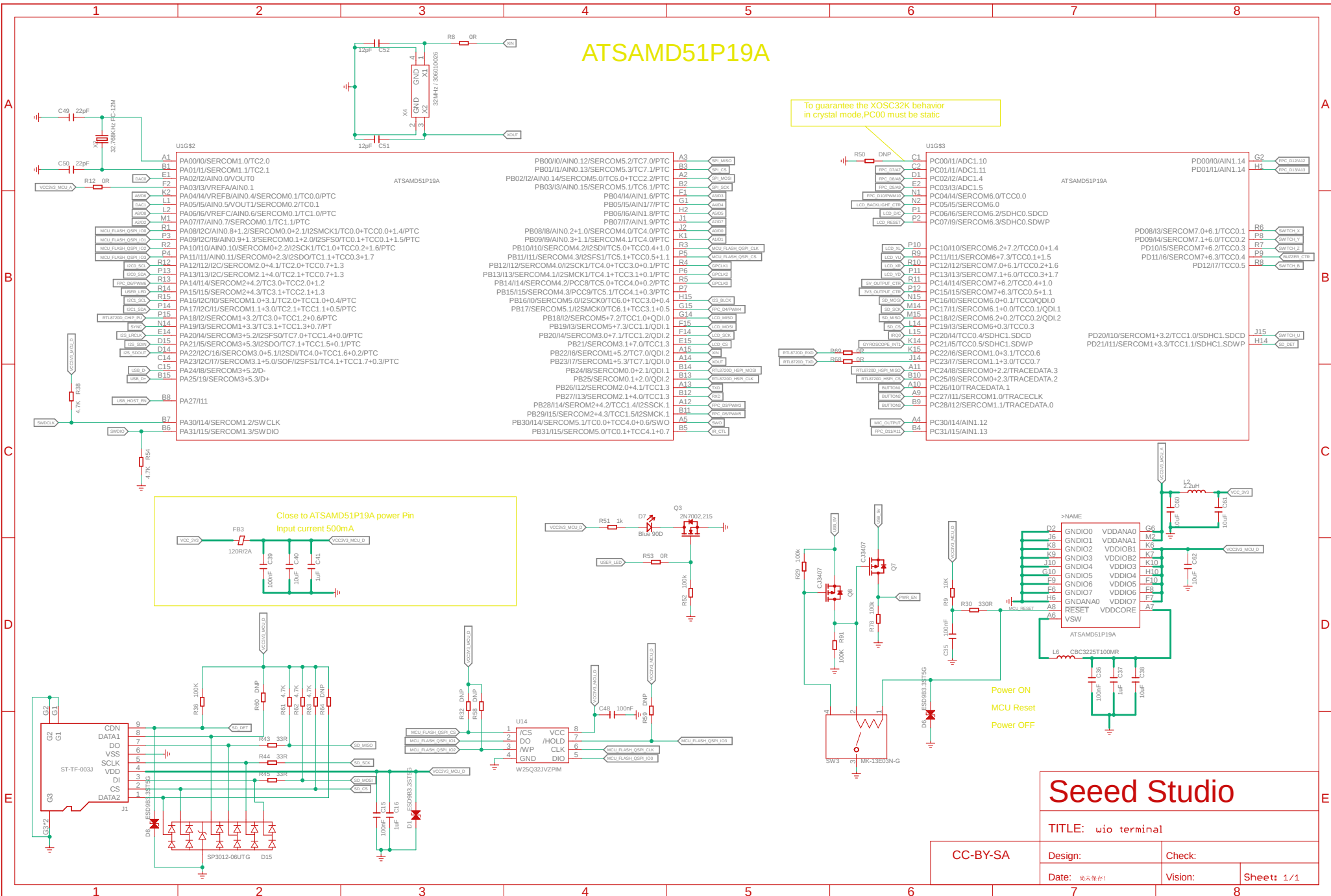
5

6

7

8

ATSAMD51P19A



To guarantee the XOSC32K behavior in crystal mode, PC00 must be static

Close to ATSAMD51P19A power Pin
input current 500mA

Seed Studio

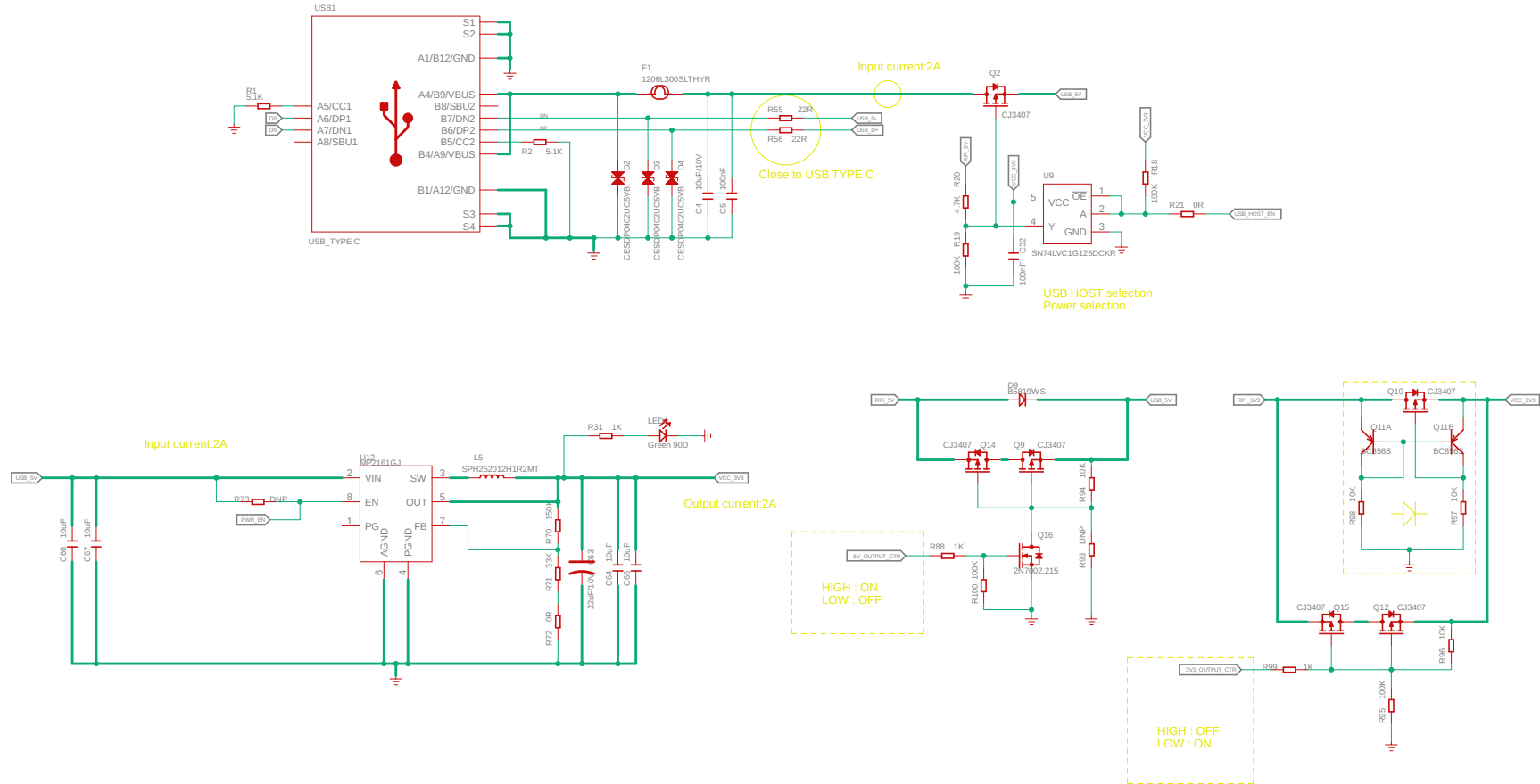
TITLE: wio terminal

CC-BY-SA

Design:	Check:
Date: 南来保存1	Vision:

Sheet: 1/1

Power

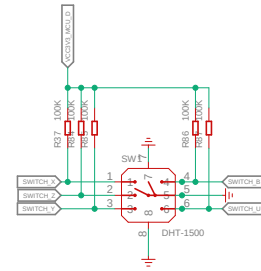
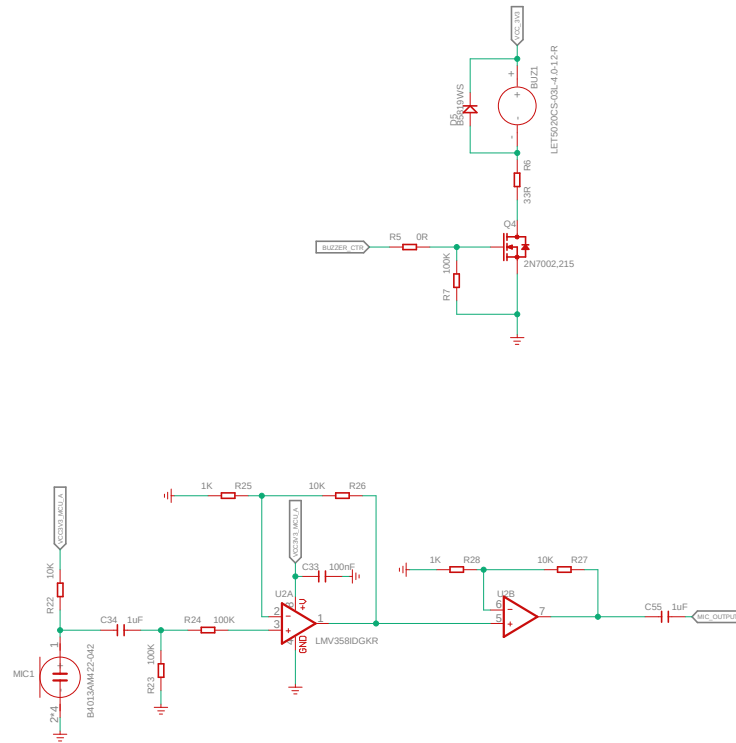


Seed Studio

TITLE: wio terminal

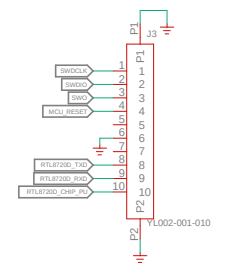
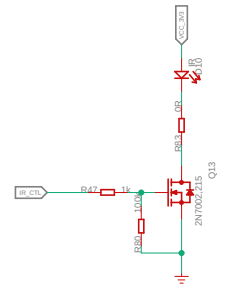
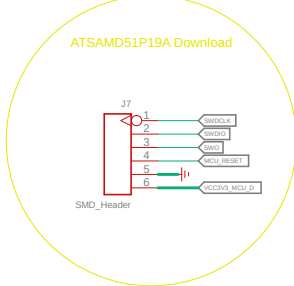
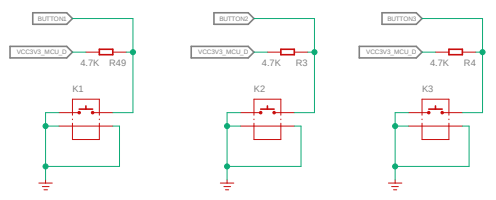
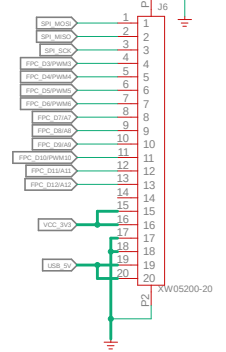
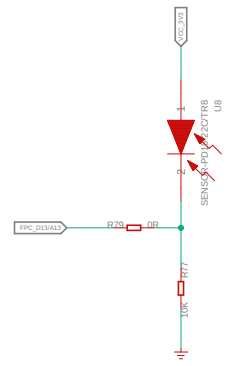
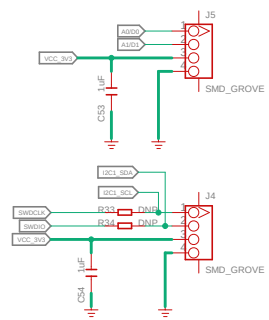
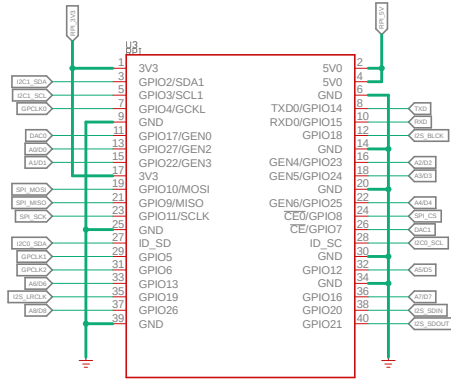
CC-BY-SA	Design:	Check:
	Date: 尚未保存!	Vision:
		Sheet: 1/1

Buzzer & MIC



Seed Studio			
TITLE: wio terminal			
CC-BY-SA	Design:	Check:	
	Date: 尚未保存!	Vision:	Sheet: 1/1

Header Interface and Button



Seed Studio

TITLE: wio terminal

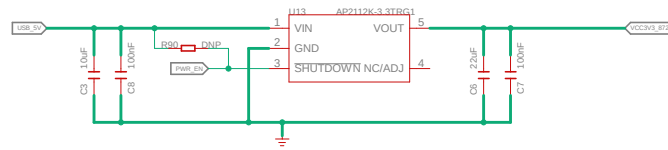
CC-BY-SA

Design:	Check:
Date: 尚未保存!	Vision:

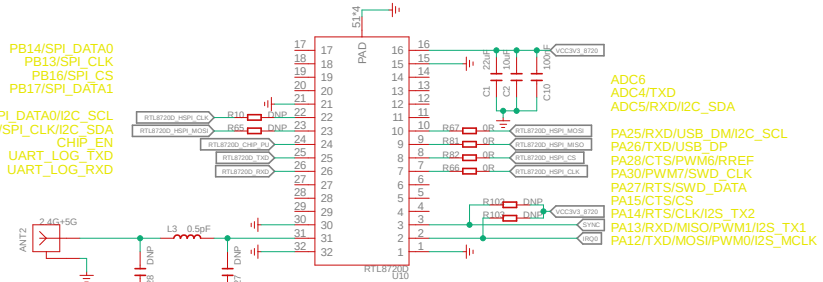
Sheet: 1/1

WIFI+BLE

Input current 600mA

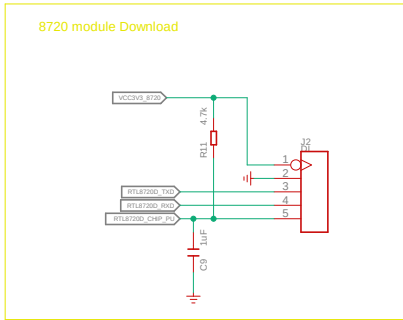


PB14/SPI_DATA0
PB13/SPI_CLK
PB16/SPI_CS
PB17/SPI_DATA1
PB20/TXD/PWM12/I2S_CLK/SPI_DATA0/I2C_SCL
PB21/RXD/PWM13/I2S_WS/SPI_CLK/I2C_SDA
CHIP_EN
UART_LOG_TXD
UART_LOG_RXD



ADC6
ADC4/TXD
ADC5/RXD/I2C_SDA
PA25/RXD/USB_DM/I2C_SCL
PA26/TXD/USB_DP
PA28/CTS/PWM6/RREF
PA30/PWM7/SWD_CLK
PA27/RTS/SWD_DATA
PA15/CTS/CS
PA14/RTS/CLK/I2S_TX2
PA13/RXD/MISO/PWM1/I2S_TX1
PA12/TXD/MOSI/PWM0/I2S_MCLK

8720 module Download



Seed Studio

TITLE: wio terminal

CC-BY-SA

Design:

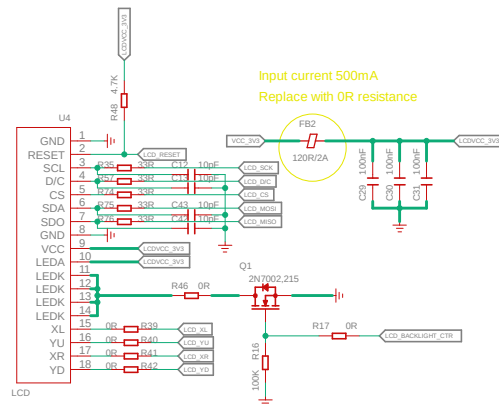
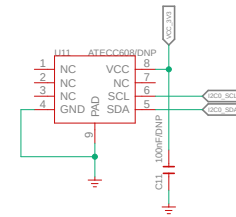
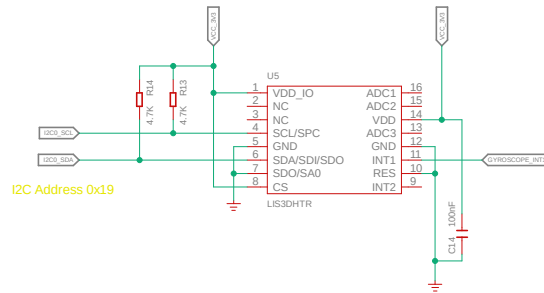
Check:

Date: 尚未保存!

Vision:

Sheet: 1/1

Gyroscope & LCD



Seed Studio

TITLE: wio terminal

CC-BY-SA

Design: Check:

Date: 尚未保存!

Vision:

Sheet: 1/1